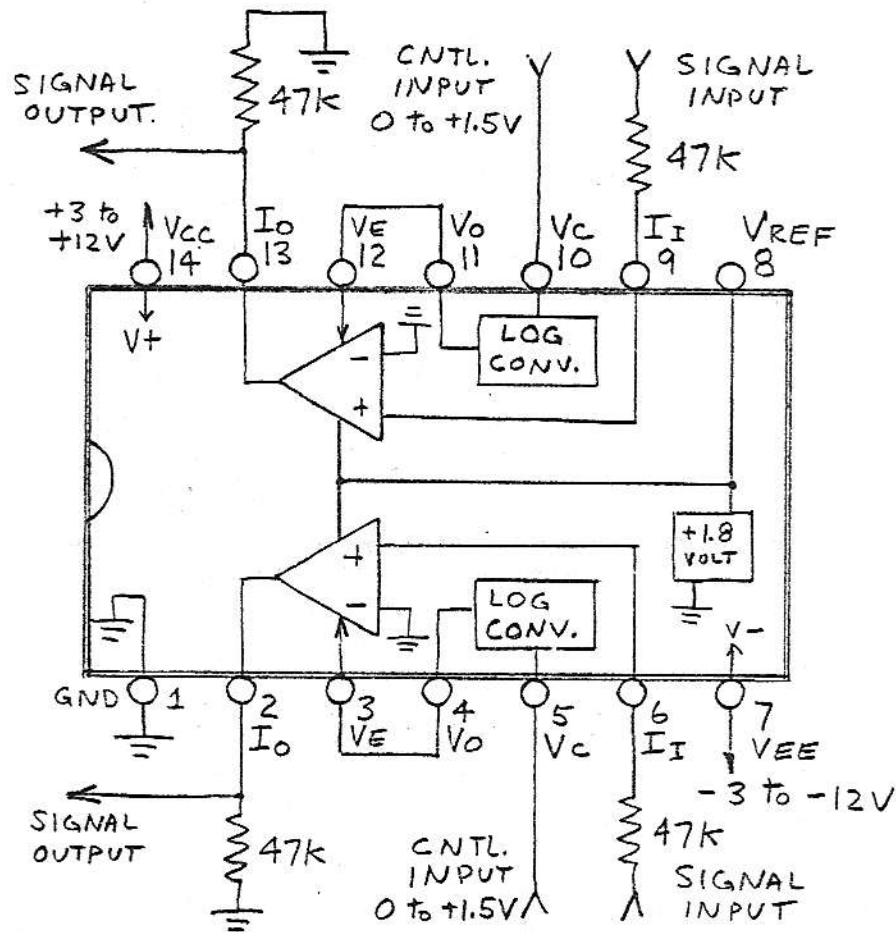


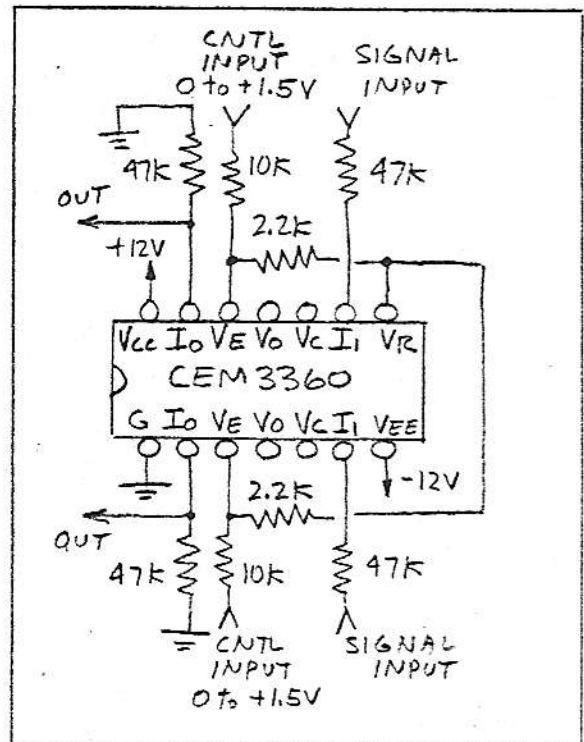
# CEM3360 DUAL VCA (PRELIMINARY)

10-10-80



## FEATURES

- LOW COST
- TWO INDEPENDENT VCAS IN A SINGLE 14 PIN DIP
- SIMPLE TO USE - FEW EXTERNAL COMPONENTS REQUIRED
- EXCEPTIONALLY LOW CONTROL FEEDTHROUGH WITHOUT TRIMMING: 10MV MAX. OUT OF 10V.P.P. OUTPUT
- LOW NOISE: -100 dB TYP.
- NO TRIMMING REQUIRED
- SUMMING NODE SIGNAL INPUT
- CURRENT OUTPUT CAPABLE OF SWINGING TO WITHIN 1.5V OF EACH SUPPLY
- LINEAR AND EXPONENTIAL CONTROL
- CONTROL VOLTAGES REFERENCED TO GROUND
- WIDE SUPPLY RANGE:  $\pm 3$  TO  $\pm 12$  OR  $\pm 15$ ,  $-3$  TO  $-9$



CONNECTION FOR EXP. CONTROL